

RS 26 and RS 30 Granulators for immediate recovery

The Piovan Granulators RS 26 and RS 30 Series are characterised by an open type rotor, with 260 mm and 300 mm diameter respectively and three single blades. The rotor's geometry ensures the progressive and powerful scirrors-like cutting action.



RS 2635 granulator

Features providing benefits

- > **Reduced energy usage** thanks to the flywheel which increases cutting performance.
- > **High quality regrind**: the design of the rotor ensures uniform regrind with reduced dust content.
- > **Easy cleaning and maintenance operations**: the operator can quickly access the internal components, without necessity of tools.
- > **Total safety**: an automatic device eliminates the risk of accidental contact with the rotating blades.
- > **Integrated soundproofing** for installation inside the production dept.
- > **Versatility**: suitable for installation beside an injection and a blow moulding machine for immediate recovery and for centralised recovery via belt conveyor.

Removing, sharpening and positioning the blades are outstandingly quick and safe operations. A special template for the correct adjustments and for the replacement of the rotating blades is available as an optional feature. Two lateral discs running with the rotor prevent friction and damage of the material to be granulated.



Numerous configurations

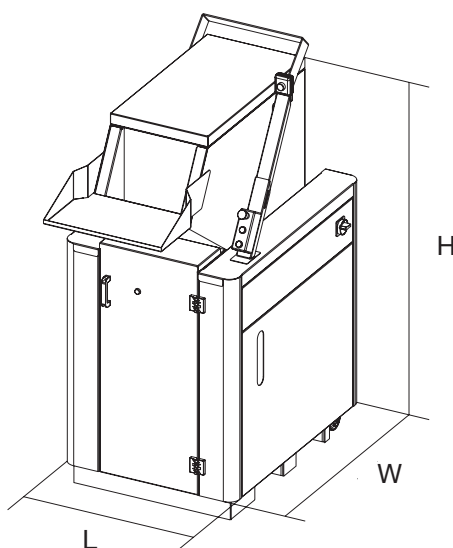
The RS 26 and RS 30 granulators are available in a wide variety of configurations, according to the type of feeding mode: manual or by means of a belt conveyor.

A hopper version for profiles can be provided (also available with an extension to regrind pieces as long as 1.5 m). Since the profiles are fed from the back of the machine, the front opening of the hopper can still be used for feeding sprues or pieces of standard dimensions.

Other kinds of hoppers are available on request.

Regrind extraction alternatives:

- > direct connection to a hopper loader
- > horizontal spiral screw with optional integrated collection bin
- > blower and cyclone (either standing or integrated)
- > inclined spiral screw.



Complete inspection



Easy maintenance operations

TECHNICAL DATA		RS 2635	RS 3035	RS 3045
Hopper inlet	mm	285 x 350	305 x 350	305 x 450
Granulation chamber	mm	260 x 350	300 x 350	300 x 450
Motor power*	kW	7.5 (5.5)	15 - 11	15 - 11
Rotating blades	n.	3		
Fixed blades	n.	2		
Rotor diameter	mm	260	300	300
Grid holes diameter**	mm	6 - 8 - 10 - 12		
Rotor speed***	rpm	478 (330)	425 (293)	425 (293)
Noise level	dB(A)	< 80		
Dimensions****	mm	800x1175x1830	800x1377x1860	950x1377x1860
Weight	kg	800	900	1000

* 400 V / 50 Hz

*** 4 poles / 6 poles motor

** Other versions available on request

**** Standard hopper