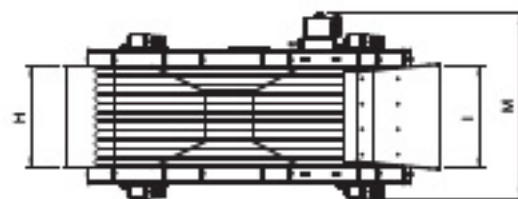
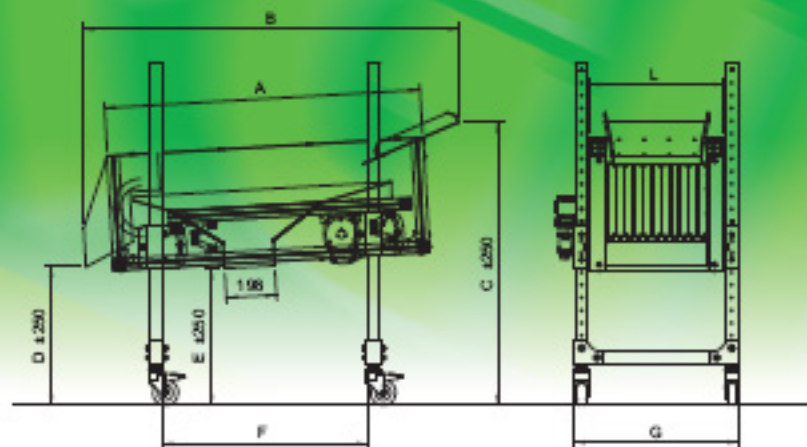
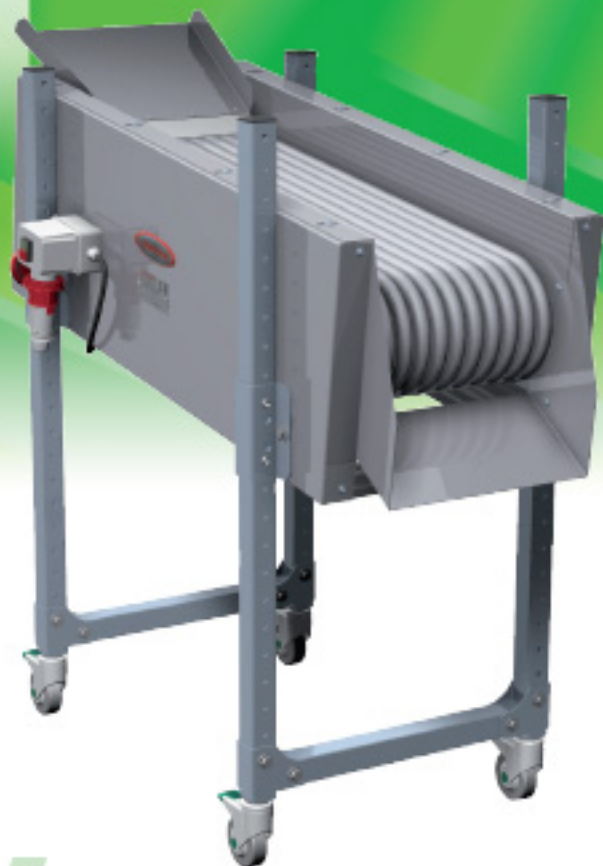


**SAV** STANDARD LINE

**VIRGINIO NASTRI**



**SAV**

MOD.	A	B	C	D	E	F	G	H	I	L	M	Kg
SAV/1	1250	1405	1122	540	541	812	652	404	410	534	734	150